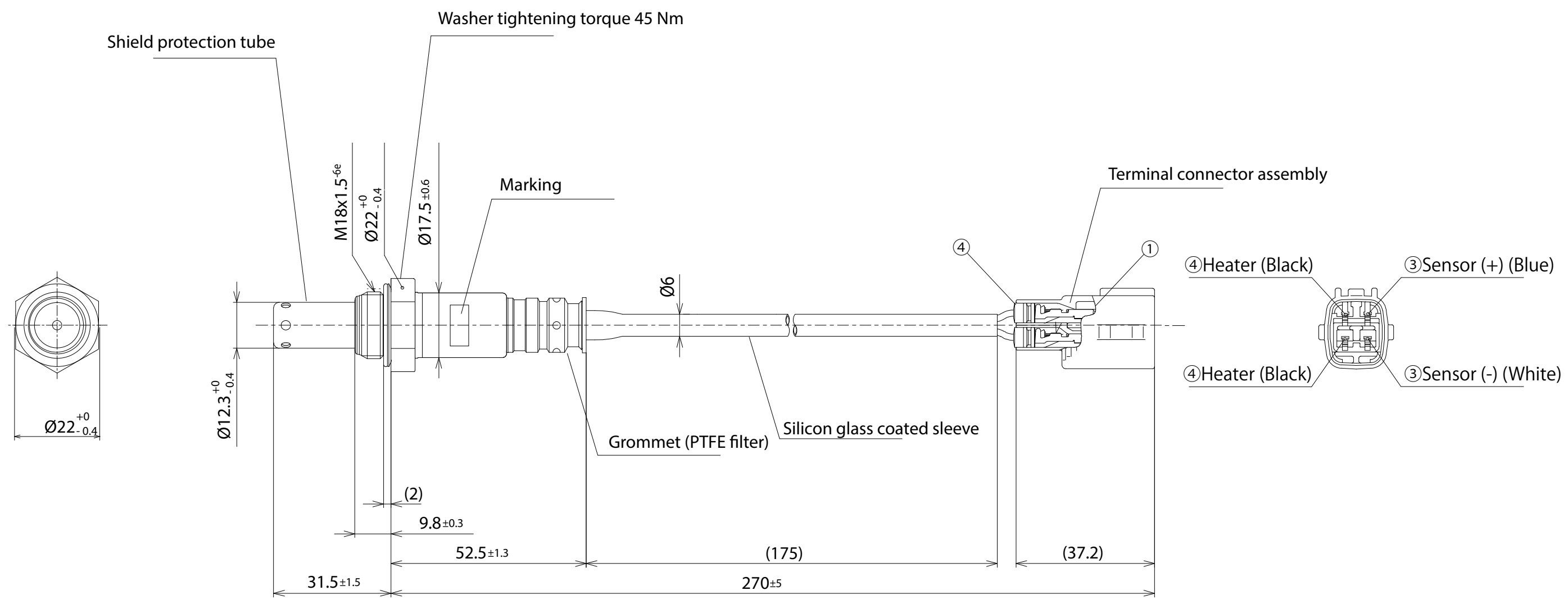


| NO. | 8 | 9 | 10 | 11 | 12 |
|-----|------------------|---|----|------|--------|
| △ | REVISION HISTORY | | | DATE | SIGNED |
| △ | | | | | |
| △ | | | | | |



Terminal connector assembly parts list

| NO. | NAME | PCS. | PART NO. | MATERIAL/DIMENSION | SUPPLIER | OTHER |
|-----|--------------------------|------|-----------|--------------------|----------------|-------|
| | BUSHING | 1 | 7165-0349 | RUBBER | SUMITOMO DENSO | |
| 3 | TERMINAL CONNECTOR PLATE | 2 | 8100-1007 | GOLD PLATTED | SUMITOMO DENSO | |
| 2 | TERMINAL CONNECTOR PLATE | 2 | 8100-0458 | TIN PLATTED | SUMITOMO DENSO | |
| 1 | HOUSING CONNECTOR | 1 | 7282-7040 | | YAZAKI SOGYO | |

(Statements)
1. This product comply with RoHS and REACH standard.

| | | | | | |
|----------|--|------------------------|-----------------|------------------------------------|--|
| NAME | | | | OSx-1 | |
| | | | | Pellet System Oxygen Sensor | |
| MATERIAL | | | DATE 2014.11.20 | | |
| APPROVED | | THIRD ANGLE PROJECTION | | CODE | |
| CHECKED | | SCALE | | DRAWING NO. | |
| CHARGED | | 1:1 | | D2014-H6 | |
| DESIGNED | | | | REV | |
| DRAWN | | | | | |

CONFIDENTIAL

The drawing as well as the content of the present specification data are confidential and should not be divulged to third company. In case of non-respect of the present term, FKK may take action and ask for damages.

made by **DENSO** for FKK Corporation